

MULTI-FUNCTION

Range of straight silicone hoses with special Multi-function connection on Unit side.

This special connection permits to manufacture dental units with easily detachable hoses.

Four pneumatic ways and up to eleven electric ways are available on each Multi-function connection.

Multi-function hoses are only available in grey colour.

Multifunction silicone hoses are now available with special connectors suitable for use with KaVo, Anthos, Stern Weber, Castellini dental Units.

VARIOUS VERSIONS FOR SUPPLY OF OVER 15 DENTAL INSTRUMENTS ARE AVAILABLE.



Complete Multi-function silicone hose



Female Multi-function connector



The Multi-function coupling system allows easy and fast replacement of instruments' hoses on both the dentist's and assistant's modules.

TECHNICAL DATA

Product:	ALL SILICONE HOSES
Available standard sheath colours:	Black, Grey, Light grey, White, Brown (A-dec type)
Standard length of silicone sheath:	1.60 m
Standard length of inner tubings and wires:	1.80 m
Standard sheath diameter:	Ø10.5 mm or Ø7 mm (for scalers and lamps)
Maximum air pressure on inner tubings:	6 bar (87 psi)
Internal tubings:	Latex-free, phthalate-free, food-grade polyurethane tubings. Tubings are extruded in a controlled white chamber compliant to Class 7 according to ISO 14644-1 (equivalent to Class 10000 according to FED STD 209E). Used compound is suitable for food contact applications as it is compliant to European Directive 2002/72/EC (monomers and additives listed in Annex II and III) and FDA Standard (Food contact section).
Optional water spray tubing:	Extruded with 2% added antimicrobial additive which inhibits bacterial growth
Cross-section of electric wires:	0.25 mm ² (126 x Ø 0.050 mm)
Insulation voltage of electric wires:	500 Vrms
Maximum current on electric wires:	6 A
Standard conformity:	ISO 9168 (Type 1, 2 and 3), CEI EN 60601-1, European Directives 93/42/EEC (Class I) and 2007/47/EC
Guarantee:	2 years

Piezor® is a registered trademark of Electro Medical Systems SA
Newtron® is a registered trademark of Acteon SA, France.



UNI CEI EN ISO 13485

SILICONE HOSES / Cat.094UK/2019

SILICONE HOSES



PNEUMATIC

ELECTRIC

SWIVELLING

MULTI-FUNCTION



TeKne Dental srl • Via del Pescinale, 77 • 50041 Calenzano (FI) • Italy

Tel. +39 055 8825741 • Fax +39 055 8825764

www.teknedental.com • info@teknedental.com



SIMPLIFYING DENTAL MOTION

PNEUMATIC

Wide range of pneumatic straight silicone hoses for turbines, air micromotors and scalers.

The silicone sheath and the connectors can be easily and safely cleaned with any commercial cleansers.

Nuts and sleeves are chrome-plated and specially satined so as to reduce uncomfortable surface glare.

Sizes of the internal polyurethane tubings have been optimized to get the best performance of the attached instrument and minimize the kinking effect of sharp bends.

Internal tubings are extruded in controlled environment without any added latex and phthalates, meet the main food regulations (Directive 2002/72/EC and FDA standard) and are therefore compliant to Directive 2007/47/EC.

Additionally, on special request, the inner waterline tubing can be extruded with an antimicrobial additive which prevents proliferation of bacteria on the inner surface.

Silicone hose with 3/4/5-hole connector

Silicone hose with 4-hole connector and electric socket



Silicone hose for use with TITANUS®E/S scaler



Silicone hose for use with EMS Piezon® scaler



Silicone hose for use with Satelec® Newtron® scaler



Silicone hose for use with MOON / TLED curing lamps



Silicone hose with 4-hole connector and 4-pin electric socket for use with DEFINITIVE® or Bien-Air MC3 micromotors



Silicone hose with double-function connector for use with Bien-Air MC3 electric Micromotor or Turbine



Silicone hose with connector for Bien-Air MC2 ISOLITE 300/LED micromotors



Silicone hose with electrified 4-hole connection with spray water flow adjustment



Silicone hose with spray water flow adjustment for KaVo KL700 / KL701 micromotors

ELECTRIC

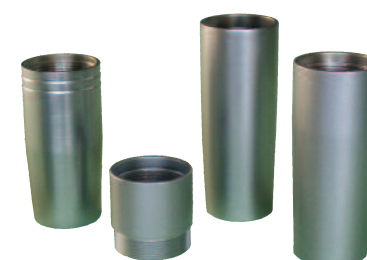
Wide range of straight silicone hoses for supply of electric micromotors, piezo-electric scalers and curing lamps. The silicone sheath can be easily and safely cleaned with any commercial cleansers.

Internal tubings are extruded in controlled environment without any added latex and phthalates, meet the main food regulations (Directive 2002/72/EC and FDA standard) and are therefore compliant to Directive 2007/47/EC.

Nuts and sleeves are chrome-plated and specially satined so as to reduce uncomfortable surface glare.

All electric contacts are gold-plated and crimped according to a precise standard so as to guarantee the best electric connection. All electric wires are extra-flexible, adequately sized to the passing current and are insulated with a special oil-resistant material. Additionally, on special request, the inner waterline tubing can be extruded with an antimicrobial additive which prevents proliferation of bacteria on the inner surface.

Different types of silicone hoses are available on special request.



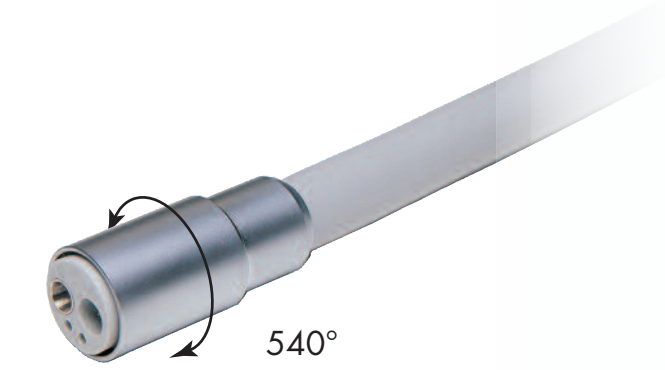
Different types of metal nuts are available on special request

SWIVELLING

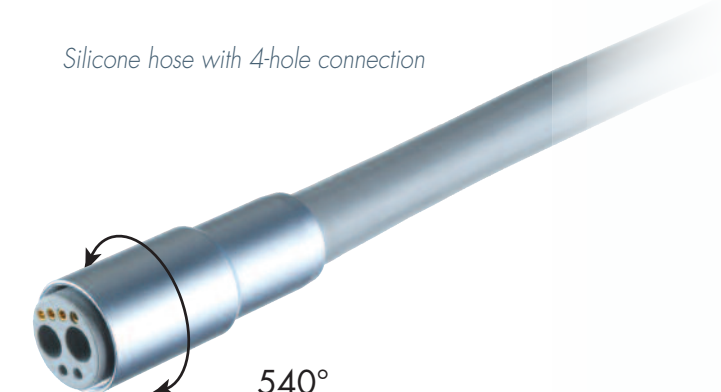
Straight silicone hoses with 540° (270° clockwise, 270° anti-clockwise) swivelling connection for pneumatic instruments and electric micromotors.

The silicone sheath can be easily and safely cleaned with any commercial cleansers. Inner tubings meet the main food regulations and are designed in order to get the best performance of the connected instrument.

Additionally, on special request, the inner waterline tubing can be extruded with an antimicrobial additive which prevents proliferation of bacteria on the inner surface.



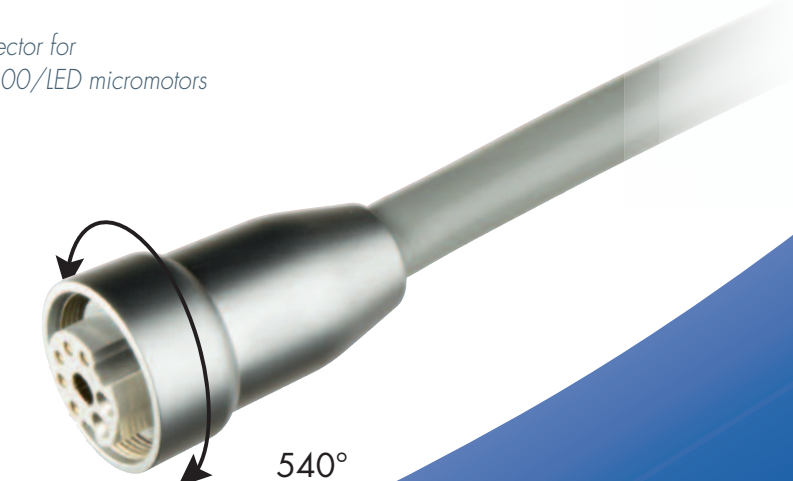
Silicone hose with 4-hole connection



Silicone hose with connector for use with DEFINITIVE®LED or Bien-Air MC3 IK/LED micromotors



Silicone hose with connector for Bien-Air MC2 ISOLITE 300/LED micromotors



Silicone hose with connector for NUCLEUS®LED micromotors